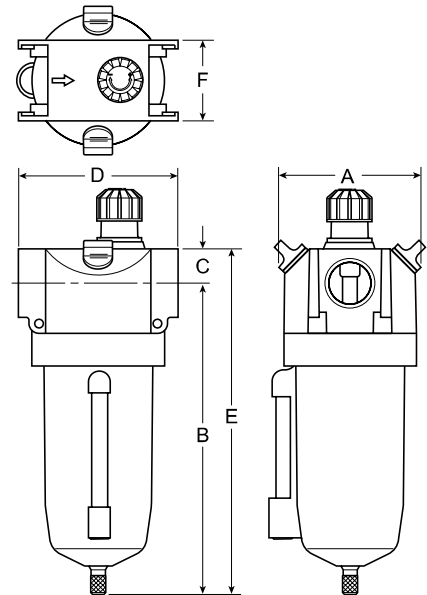


L20 QIX Lubricators



Features

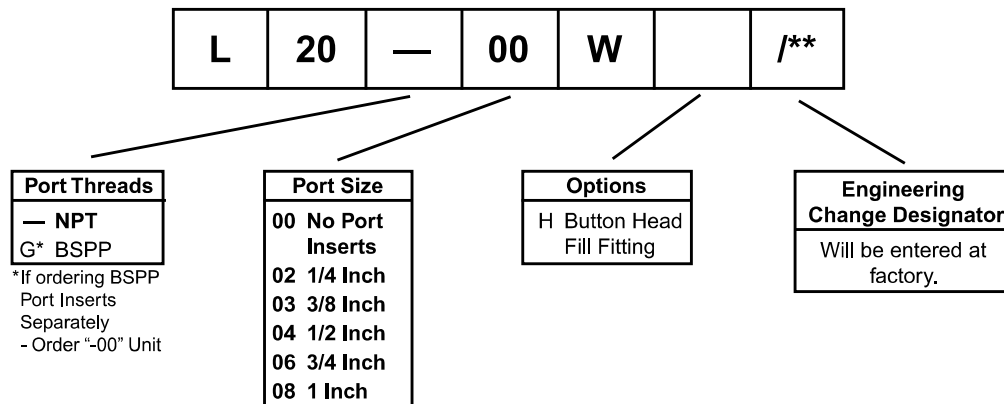
- Unique Interchangeable QIX Inserts Allow One Module to Accommodate 5 Port Sizes 1/4", 3/8", 1/2", 3/4", 1"
- High Flow Venturi and By-pass Valve to Minimize Pressure Drop and Ensure Consistent Lubrication at All Rated Flows
- Excellent Water Removal Efficiency
- Tamper Resistant Removable Drip Control Knob
- Manual Drain Standard
- High Flow: 250 SCFM for 3/4" & 1" Port Sizes



L20 Filter Dimensions						
A	B	C	D*	D**	E	F
3,13 (80)	6,82 (173)	2,04 (52)	3,50 (89)	4,50 (114)	8,86 (228)	1,77 (45)

inches (mm)
 * 1/4 thru 3/4 Inch Port Insert Size
 ** 1 Inch Port Insert Size

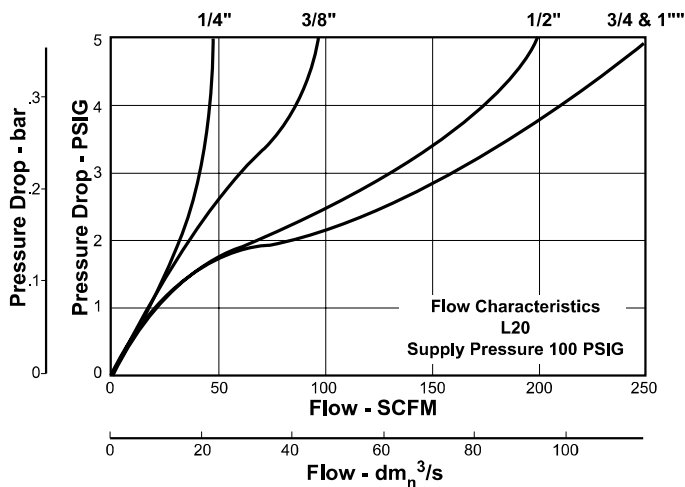
Ordering Information



BOLD ITEMS ARE MOST POPULAR.



Technical Information



QIX L20 Kits & Accessories

- Bowl Kit**BKF21WA
- Bowl Sightgauge Repair Kit** RKB605WB
- Button Head Fill Fitting**L606C14
(M14 male thread)
- Combination Connector**IK20CC
(Connects 2 QIX units together)
- Drip Control Repair Kit** RKL100
- Internal By-pass Repair Kit** RKL20A
- Mounting Brackets (pair)**MK20-0100
- Port Insert Kits (includes o-rings & pins) NPT –**
- 1/4" Port Size.....IK20Y
- 3/8" Port Size.....IK20X
- 1/2" Port Size.....IK20A
- 3/4" Port Size.....IK20B
- 1" Port Size.....IK20C
- Shut-off Valve w/lockout (for inlet)**IK20V

Specifications

- Bowl Capacity** 10 oz.
- Maximum Pressure** 250 PSIG

Port Threads / Inserts –

- 00 No Port Inserts
- 02 1/4"
- 03 3/8"
- 04 1/2"
- 06 3/4"
- 08 1"

Temperature Range 40°F to 150°F

Weight 3.3 lb
 (For total weight add .1 lb for port inserts)

Materials of Construction

- Body** Zinc
- Bowl**Zinc
- Drain** Brass
- Drip Control** Polyurethane
- Seals** Buna-N
- Sightgauge** Nylon
- Thread Inserts** Zinc

